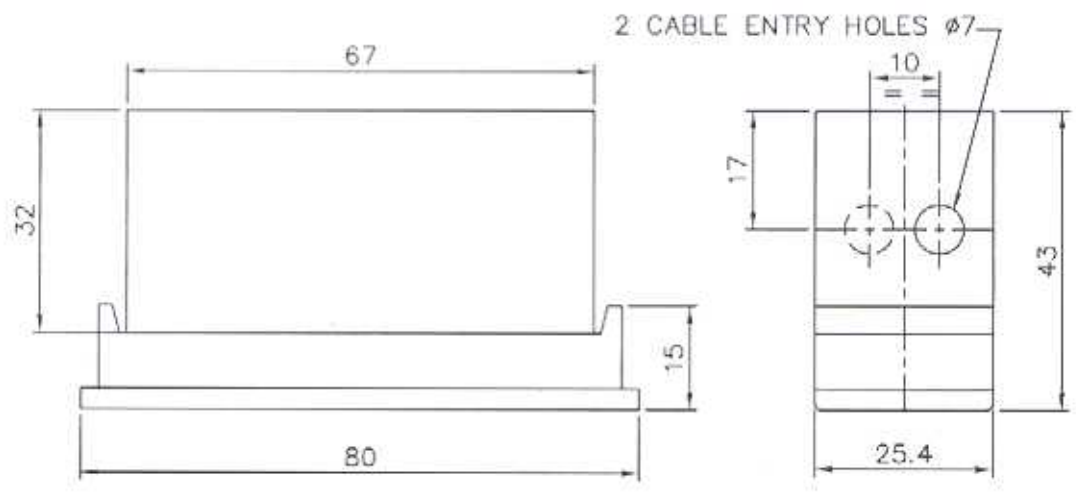
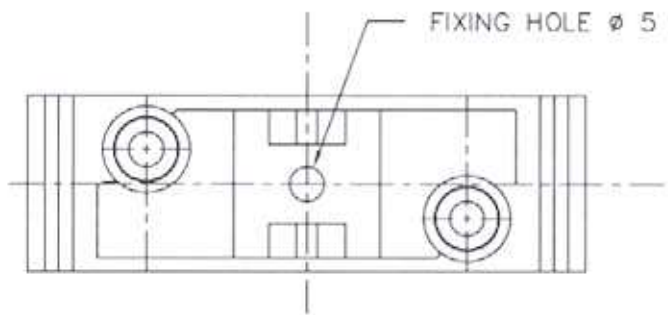


THIS DRG. IS CONFIDENTIAL IT MUST NOT BE COPIED OR PASSED TO A THIRD PARTY WITHOUT WRITTEN CONSENT. WE RESERVE ALL RIGHTS ON NEW IDEAS/CHARACTERISTICS ESPECIALLY FOR PATENT PURPOSES. ERASURES/ CORRECTIOINS SHALL INVALIDATE THE DRAWING

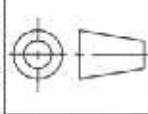
REV.3
4F15.101.00.00.00
DRG.NO.

ALL DIMENSIONS ARE IN MM

IF IN DOUBT ASK.
DO NOT SCALE DRAWING



REV. NO.	REVISION DESCRIPTION	DATE	APPD.
4.	REFER DCR NO. 063	1.12.2K	
3.	REFER DCR NO. 072	31.1.2K	-Sd-



SCALE
NTS

GENERAL ASSY. OF
HRC FUSE FITTING
TYPE : FA

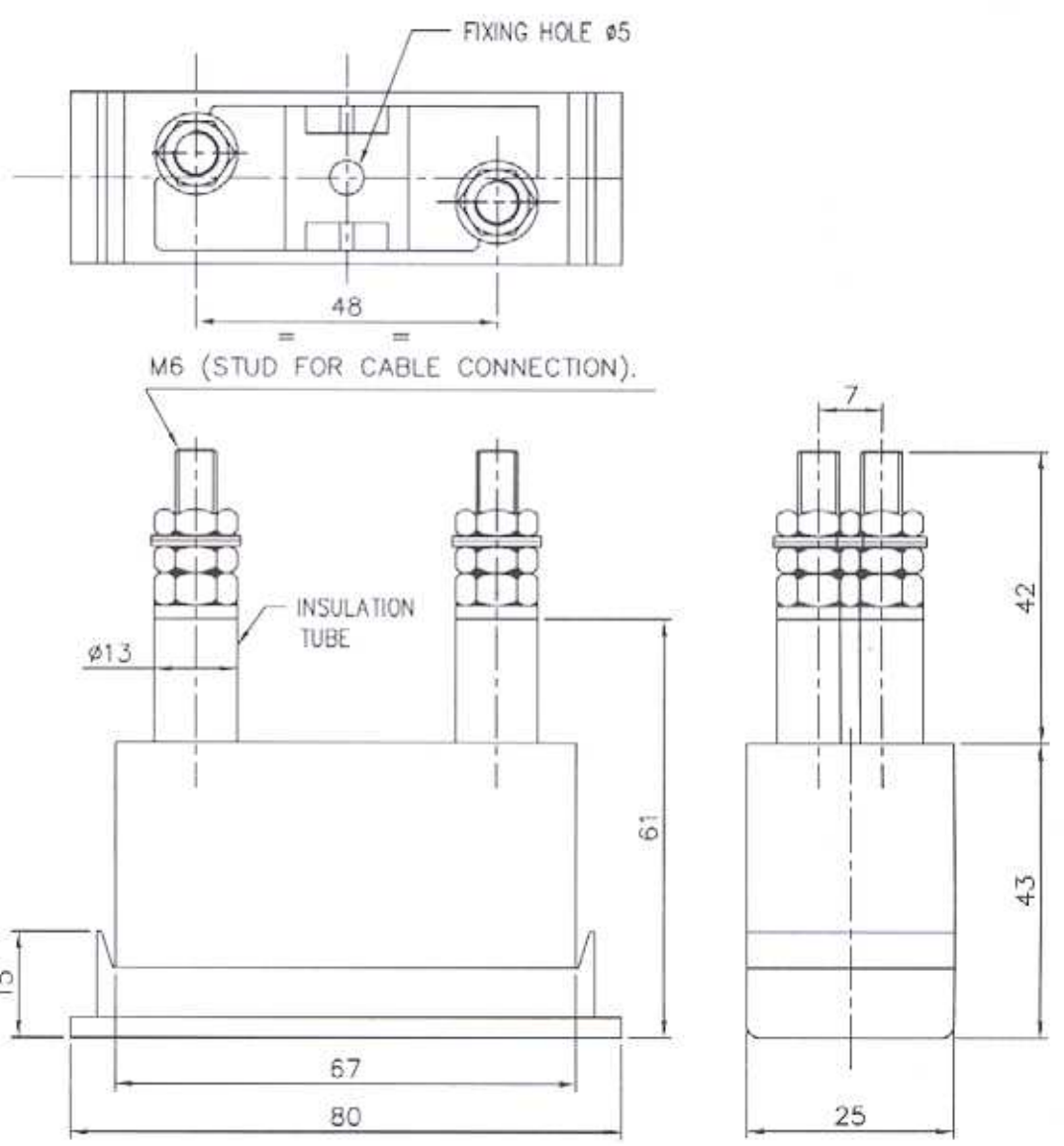
DRN.	M.Anbu	27.3.92
CHD.	-Sd-	27.3.92
APPD.	-Sd-	3.6.97



Cooper Bussmann India Private Limited
PONDICHERRY

DRG.NO.
4F15.101.00.00.00
REV.3

1 2 3 4
 DRG.NO. 4F15.102.00.00.00
 ALL DIMENSIONS ARE IN MM
 IF IN DOUBT ASK.
 DO NOT SCALE DRAWING
 REV.4



THIS DRG. IS CONFIDENTIAL IT MUST NOT BE COPIED OR PASSED TO A THIRD PARTY WITHOUT WRITTEN CONSENT. WE RESERVE ALL RIGHTS ON NEW IDEAS/CHARACTERISTICS ESPECIALLY FOR PATENT PURPOSES. ERASURES/ CORRECTIONS SHALL INVALIDATE THE DRAWING

REV. NO.	REVISION DESCRIPTION	DATE	APPD.
4.	REFER DCR NO. 093	1.12.2K	
3.	REFER DCR NO. 072	3.1.2K	-Sd-

	SCALE	TITLE GENERAL ASSY. OF HRC FUSE FITTING TYPE : FB	DRN.	M.Anbu	27.3.92
	NTS		CHD.	-Sd-	27.3.92
Cooper Bussmann India Private Limited PONDICHERRY			APPD.	-Sd-	3.6.97
			DRG.NO. 4F15.102.00.00.00 REV.4		

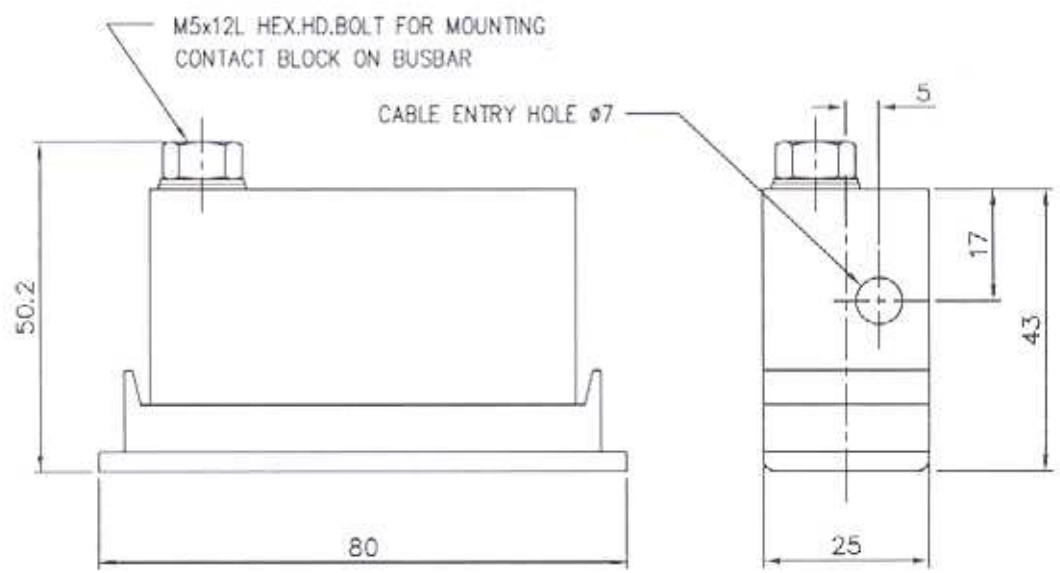
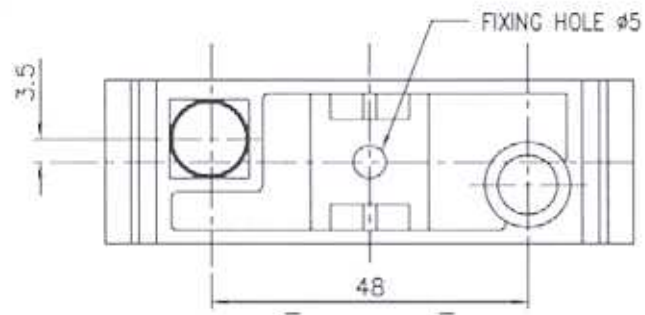
1 2 3 4

REV.4
4F15.103.00.00.00
DRG.NO.

ALL DIMENSIONS ARE IN MM

IF IN DOUBT ASK.

DO NOT SCALE DRAWING



THIS DRG. IS CONFIDENTIAL IT MUST NOT BE COPIED OR PASSED TO A THIRD PARTY WITHOUT WRITTEN CONSENT. WE RESERVE ALL RIGHTS ON NEW IDEAS/CHARACTERISTICS ESPECIALLY FOR PATENT PURPOSES. ERASURES/ CORRECTIOINS SHALL INVALIDATE THE DRAWING

REV. NO.	REVISION DESCRIPTION	DATE	APPD.
4	REFER DCR NO. 093	1.12.2K	
3	REFER DCR NO. 072	3.12K	-Sd-

	SCALE	TITLE GENERAL ASSY. OF HRC FUSE FITTING TYPE : FD	DRN.	M.Anbu	27.3.92
	NTS		CHD.	-Sd-	27.3.92
Cooper Bussmann India Private Limited PONDICHERRY			APPD.	-Sd-	3.6.97
			DRG.NO. 4F15.103.00.00.00 REV.4		

1 2 3 4

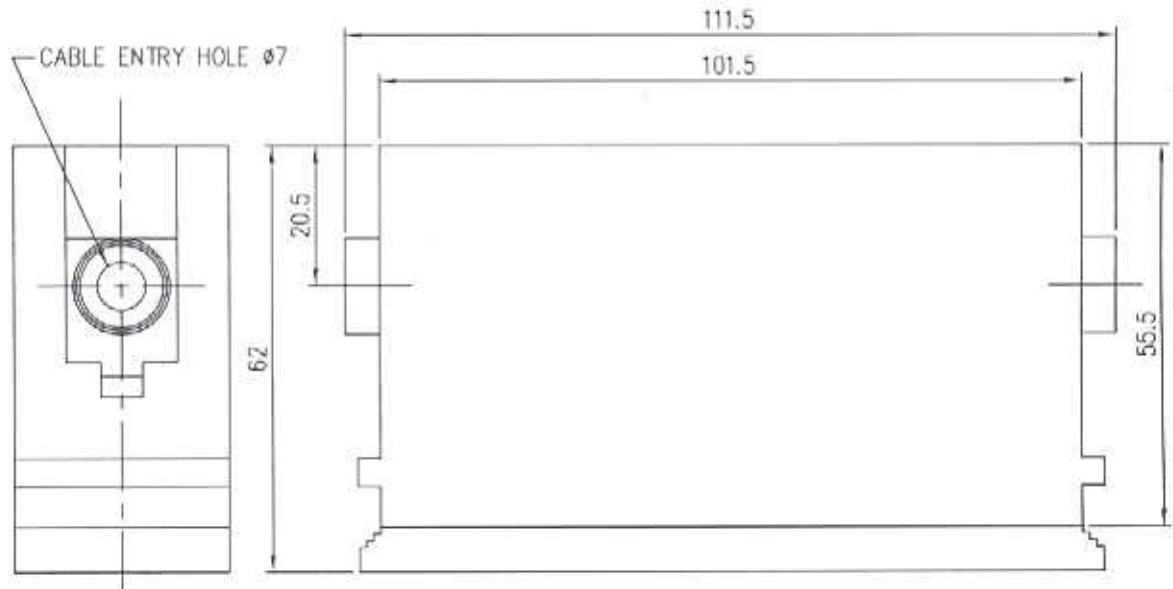
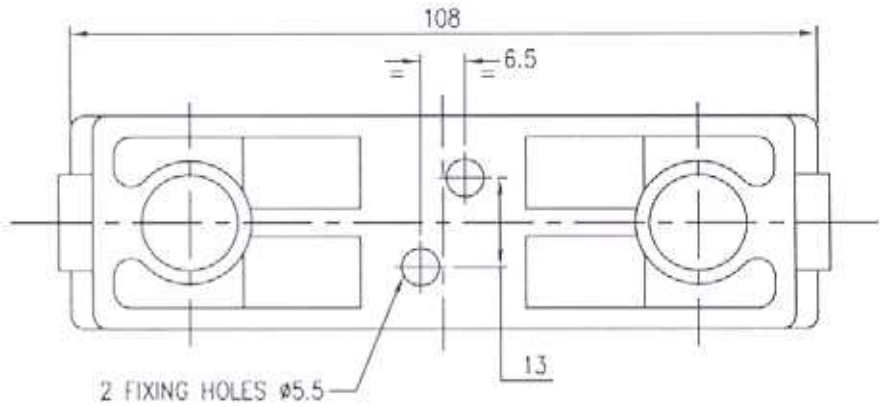
REV.4

DRG.NO. 4F15.104.00.00.00

ALL DIMENSIONS ARE IN MM

IF IN DOUBT ASK.

DO NOT SCALE DRAWING

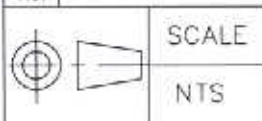


THIS DRG. IS CONFIDENTIAL IT MUST NOT BE COPIED OR PASSED TO A
 THIRD PARTY WITHOUT WRITTEN CONSENT. WE RESERVE ALL RIGHTS
 ON NEW IDEAS/CHARACTERISTICS ESPECIALLY FOR PATENT PURPOSES.
 ERASURES/ CORRECTIONS SHALL INVALIDATE THE DRAWING

REV. NO.	REVISION DESCRIPTION	DATE	APPD.
4.	REFER DCR NO. 093	1.12.2K	
3.	REFER DCR NO. 072	31.12.2K	-Sd-

MATL:
-

FINISH:
-



**GENERALLY ASSY. OF
HRC FUSE FITTING
TYPE : HA**

DRN.	M.Anbu	27.3.92
CHD.	-Sd-	27.3.92
APPD.	-Sd-	3.6.97



**Cooper Bussmann India Private Limited
PONDICHERRY**

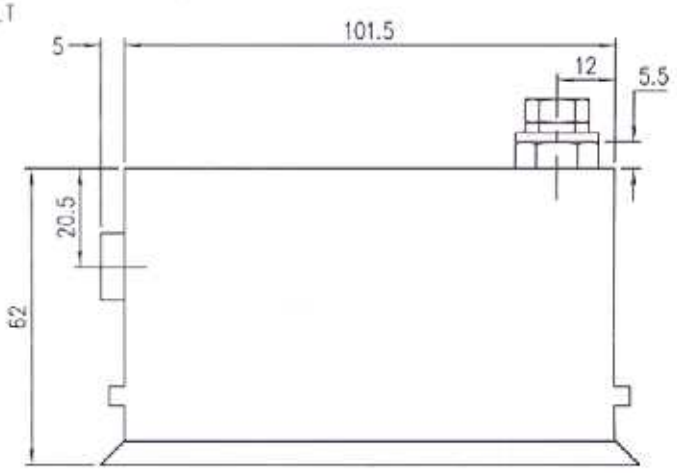
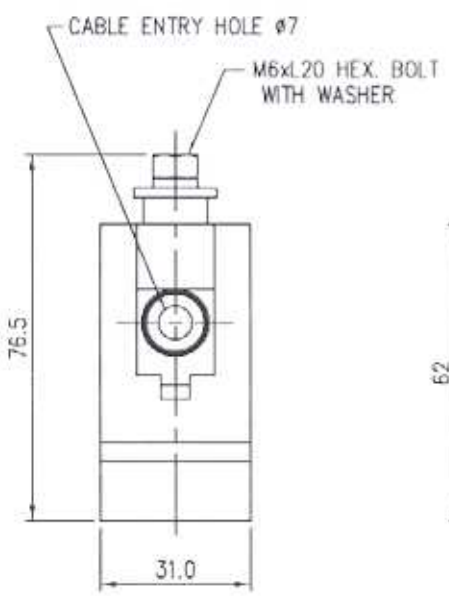
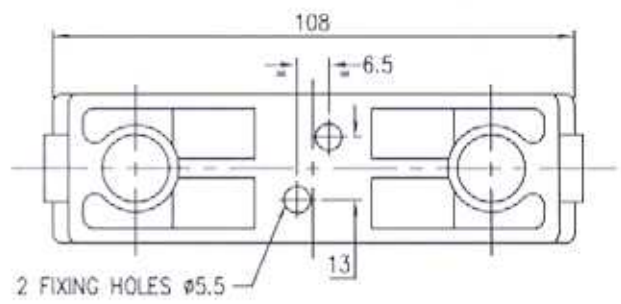
DRG.NO.
4F15.104.00.00.00
REV.4

ORG.NO. 4F15.105.00.00.00
REV.4

ALL DIMENSIONS ARE IN MM

IF IN DOUBT ASK.

DO NOT SCALE DRAWING



THIS DRG. IS CONFIDENTIAL IT MUST NOT BE COPIED OR PASSED TO A THIRD PARTY WITHOUT WRITTEN CONSENT. WE RESERVE ALL RIGHTS ON NEW IDEAS/CHARACTERISTICS ESPECIALLY FOR PATENT PURPOSES. ERASURES/ CORRECTIOINS SHALL INVALIDATE THE DRAWING

REV. NO.	REVISION DESCRIPTION	DATE	APPO.
4.	REFER DCR NO. 093	1.12.2K	
3.	REFER DCR NO. 072	31.3.2K	-Sd-

MATL:
-

FINISH:
-

SCALE
NTS

GENERALLY ASSY. OF
HRC FUSE FITTING
TYPE : HD

DRN.	M.Anbu	28.3.92
CHD.	-Sd-	28.3.92
APPD.	-Sd-	3.6.97



Cooper Bussmann India Private Limited
PONDICHERRY

DRG.NO.
4F15.105.00.00.00
REV.4